

SHUTTERS

aluminium and pvc



Manufacturer of aluminium and pvc systems for architecture

Shutters work great as façade decoration and will certainly make your home stand out. The main aim of shutters is to protect your home from excessive sunlight, wind, rain and snow, noise, cold and even burglary.







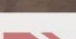
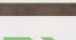




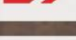


Our shutters are a combination of tradition and modernity while maintaining aesthetic and practical values. It's a niche and exclusive good wanted by everybody who values quality, design and functionality.

A great selection of colours, size, interesting models and various options for assembly are no limitation to us and allow you to create original projects to satisfy your needs and desires.

Enjoy...

...make the neighbors go green with envy!!

OUR PRODUCTS

	ALUMINIUM SHUTTERS - wings only	2
	ALUMINIUM SHUTTERS - wings in frame	3
	SLIDING AND FOLDING SHUTTERS	4
	SLIDING SHUTTERS	5
	ALUMINIUM SHUTTERS "genovian style"	6
	ALUMINIUM SHUTTERS for corner windows	7
	DECORATIVE ALUMINIUM SHUTTERS	8
	ALUMINIUM PARTITIONS	9
	PVC SHUTTERS - wings only	10
	PVC SHUTTERS - wings in frame	11
	PVC AND ALUMINIUM ARCHED SHUTTERS	12
	OUR SELECTED PROJECTS	13
	ALUMINIUM AND PVC - wing fills	14
	ALUMINIUM AND PVC - colour palettes	15
	CROSS-SECTIONS, TECHNICAL DATA AND FITTINGS	16



ALUMINIUM SHUTTERS

wings only

new !!! only here



Plain wing



Wing with overlap

Available fillings page 14



Available colours page 15



The shutters wings are mounted on hinges directly to the building's wall or the window frame. After closing, the shutters cover the window opening or fall into the recess depending on the profile and fittings used. After opening, they rest against the wall and are locked in place preventing the wind from closing them. Depending on the fittings used, the shutters can be single-winged, double-winged, triple-winged or even quadruple-winged. You can freely configure fillings and play with colours. Fillings can be divided by either horizontal or vertical crossbars.

We have three size of shutters wings frames to choose from: 40mm x 50mm, 40mm x 70mm balcony and 40mm x 70mm with an overlap. Shutters can be opened manually or automatically.

ALUMINIUM SHUTTERS

wings in frame



Recessed frame

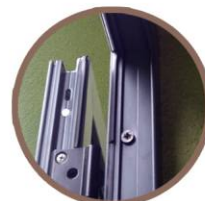


Frame with overlap

Available fillings page 14



Available colours page 15



The shutters wings are mounted on the frame, which goes up to 40mm or more into the window recess depending on the profile and fittings used. After closing, the shutter covers the window opening. After opening the shutter wings rest against the wall and are locked in place preventing the wind from closing them.

Our offer includes a frame with a decorative overlap (straight or rounded) 30 mm on the wall as well as a frame without an overlap for inserting deeper into the recess. We have two shutter profiles: window 40mm x 40mm and balcony 40mm x 60mm. Depending on the fittings used, the shutter can be single-winged, double-winged, triple-winged or even quadruple-winged. Our shutters are available in any colour configuration and wing filling can be selected as needed. Shutters can be opened manually or automatically.

SLIDING AND FOLDING SHUTTERS



Available fillings page 14



Available colours page 15



We mainly use sliding and folding shutters for large and unusual constructions. The opening method solves the issue of lack of space on the wall. Folding shutters are installed in a door or window recess. The shutter wings are mounted in the frame with a roller guide in the upper part.

The shutter wings are connected to each other by special hinges with a roller and are moved apart from side to side. After opening, they are arranged on the right side or left side or both side of the window hole. They are at right angles to the wall.

Our offer features two profiles: window 40mm x 40mm, and balcony 40mm x 60mm. Depending on the size, the shutter wings can be divided by either horizontal or vertical crossbars making any configuration of fills and colours possible.

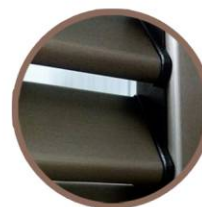
SLIDING SHUTTERS



Available fillings page 14



Available colours page 15



Sliding shutters are a very modern solution, especially when controlled automatically. Perfect for any large wall surfaces. They are mounted above the window recess or into the ceiling recess and slide on tracks. The tracks are equipped with special "click & stop" systems to lock the shutter wing in the designated position. Sliding shutters come in a single or multiple track.

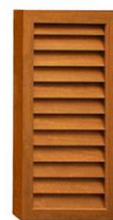
Our offer features two sizes of shutter wing profiles: window 40mm x 40mm, and balcony 40mm x 60mm. The sliding shutters can be controlled manually or automatically. Depending on the size, the shutter wings can be divided by horizontal or vertical crossbars making any configuration of fills and colours possible.

ALUMINIUM SHUTTERS

genovian style



Available fillings page 14



Available colours page 15



Genovian STYLE shutters equal classic and elegance. They feature a hinged part of the shutter wing that lets in air and light when the shutter is closed. A great solution for shutters filled with a block panel or slat imitation, which usually do not let in light and air when the window shutter is closed.

Genovian STYLE shutters can be made as shutter wings alone or shutter wings in the frame. Available in any colour and wing fillings typical for aluminium shutters. These shutters are available as multi-winged where the hinged part can be fitted at any wing height.

ALUMINIUM SHUTTERS

for corner windows



Available fillings page 14



Available colours page 15



These corner shutters have been created based on the latest trends in the window industry. Corner windows, which let in much more light, are in an even greater need of a shutter to guarantee a barrier against excessive sunlight, reduce the loss of domestic warmth and secure the house during our absence.

Corner shutters can be made as shutter wings alone or shutter wings in the frame. They are available in any colour, profile and shutter wings filling assigned to aluminium shutters. Shutters available as multi-winged; the shutter wings are lined up on the wall, which creates a beautiful decoration of your façade.

ALUMINIUM SHUTTERS

decorative



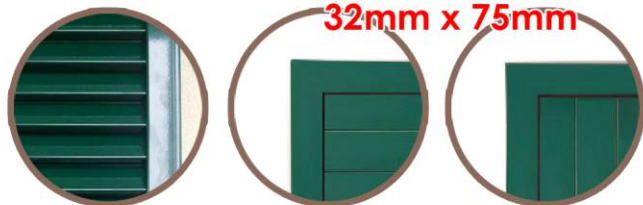
Available fillings page 14



Available colours page 15



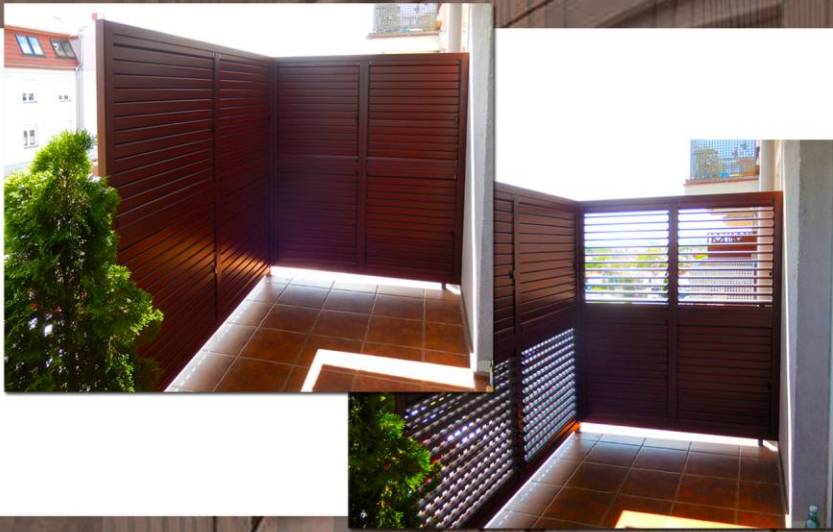
new !!! only here
32mm x 75mm



Add elegance to your facade !

Our decorative aluminium shutters are light, easy to maintain and resistant to weather conditions, which make them very long lasting. They are usually mounted by the window directly to the wall and are the perfect imitation of the real open shutter. They come in any colour and dimension, which makes each building take on a unique look. The frame of decorative window shutters come in the following sizes : 40mm x 50mm, 40mm x 70mm, 32mm x 75mm (available only at ZIELONA OKIENNICA). We can screw the fitting to give the shutter an original character on request.

ALUMINIUM PARTITIONS



Available fillings page 14



Available colours page 15



Aluminum partitions can be used for the balcony, terrace, screens, as barriers, rails, sheds, pergolas and many others. Depending on the needs and the applied fillings, the partition can protect against excessive sunlight, wind, rain, noise or cold. Ideal for the separation of zones, passageways and spaces for more privacy. Aluminum partitions are light and durable constructions available any size and color. Possible free configuration of fillings separated by vertical or horizontal cross-bars. Fixed slats, movable slats, slat imitation or a block panel can be used as a filling. To manufacture our partitions, we use 40mm x 50mm and 40mm x 70mm aluminum frames, which contain your chosen fillings. Our partitions have very high resistance to weather conditions, allowing you to enjoy them for many maintenance-free years.

PVC SHUTTERS

wings only



Available fillings page 14



Available colours page 15



PVC shutters are made of high quality profiles imported from Germany. They feature steel reinforcement in the frame and aluminium reinforcement in the slats, which prevent deformation, caused by various weather conditions, and at the same time provide additional protection and insulation.

The shutter wings are mounted on hinges directly to the building wall or window frame. After closing, the shutter wings cover the window opening or go into the recess, and after opening they lie on the wall and are locked in place preventing the wind from closing them. We offer a 50mm x 70mm shutter wing frame profile. Depending on the fittings used, the shutters can be single-winged, double-winged, triple-winged etc. Depending on the size, the shutter wing can be divided by horizontal or vertical crossbars making any configuration of fillings and colours possible. The shutters can be opened manually or automatically.

PVC SHUTTERS

wings in frame



Available fillings page 14



Available colours page 15



PVC shutters are made of high quality profiles imported from Germany. They feature steel reinforcement in the frame and aluminium reinforcement in the slats, which prevent deformation, caused by various weather conditions, and at the same time provides additional protection and insulation.

Shutters in the frame are mounted on the window recess, the frame enters 45mm into the recess, and the decorative groove joint overlaps the wall by 55mm. Both the frame and the shutter wings are welded. The frame can be made into 3 or 4 sides. When closed, the shutters in the frame, form a plane with a wall. After opening, the shutter wings are lined up on the wall and are locked in place preventing the wind from closing them. We offer a 50mm x 90mm shutter wing profile (profile with a 20mm overlap).

Shutters can be opened manually or automatically. Depending on the fittings used, the shutters can come as single-winged, double-winged, triple-winged.

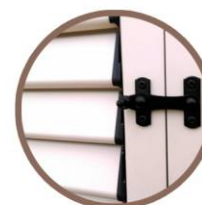
PVC AND ALUMINIUM ARCHED SHUTTERS



Available fillings page 14



Available colours page 15



Arched shutters come with a curved bending in the upper section of a given radius. They are as phenomenal as they are difficult to make and require extraordinary precision in the process. Arched shutters are available in aluminium with a 40mm x 40mm, 40mm x 60mm profile and in PVC with a 50mm x 70mm profile. These shutters can be used as shutter wings alone or as shutter wings in the frame. Available in any combination of filling and colours. Arched shutters can come with two, three or four shutter wings maximum. They can be opened manually or automatically.

OUR SELECTED PROJECTS



® All realizations at:
www.zielonaokiennica.pl

ALUMINIUM AND PVC - WING FILLS

aluminium



MOVABLE LOUVER - is equipped with an anti-burglary system for louver regulation. This allows the freedom to regulate entering daylight and air without the need to open the window. Each louver has a width of 70mm and is equipped with a gasket; thanks to this gasket, after closing the louver, we gain a completely tight surface and total darkness.



FIXED LOUVER - is always laid down at an angle of 30 degrees. For an unchanged inflow of light and air, and there is no possibility of regulation. A single louver is 10mm thick and 50mm wide. Slipped one after another in the frame of the sash, it gives a beautiful classic filling.



BLOCK PANEL - is available in two width dimensions: 100mm or 200mm, while its length depends on the sash size. The panel can be arranged horizontally or vertically, making the shutter look like a traditional plank shutter. The filling does not have a clearance, giving full blackout after closing.



LOUVER IMITATION - imitates fixed louvers, except that there is no clearance in-between, causing complete blackout after closing the window shutter. A fine milling between the louvers is possible for a small supply of light and air. Louver imitation is the cheapest of all available fillings. It is frequently used to fill decorative window shutters.

pvc



WOODEN SHUTTER - made of vertical steel-reinforced pvc boards. The boards have a thickness of 36mm and are available in: 90mm or 145mm. Boards are bolted using special templates. This filling gives the possibility to create the so-called "zet"; after closing, the window shutter gives a complete blackout.



MOVABLE LOUVER - this filling is equipped with a special louver regulation system. This allows the freedom to regulate entering daylight and air without the need to open the window. Each louver has a width of 70mm and is equipped with a gasket; thanks to this gasket, after closing the louver, we gain a completely tight surface and total darkness.



FIXED LOUVER - is always laid down at an angle of 30 degrees. For an unchanged inflow of light and air, and there is no possibility of regulation. A single louver is 10mm thick and 50mm wide. Slipped one after another in the frame of the sash, it gives a beautiful classic filling.



BLOCK PANEL - is available in two width dimensions: 100mm or 200mm, while its length depends on the sash size. The panel can be arranged horizontally or vertically, making the shutter look like a traditional plank shutter. The filling does not have a clearance, giving full blackout after closing.

ALUMINIUM AND PVC

colour palettes



ALUMINIUM SHUTTERS



anodized



RAL raw



wood



RAL speckled



RAL



RAL standard

All our aluminium shutters are powder coated in the paint shop, QUALICOAT and ISO 9001: 2000 certified. The shutters are available in any colour from the RAL palette, in anodized and wood alike colours (DECOR). The wood texture is obtained through "sublimation", similar to wooden shutters but much more resistant to weather conditions. Buying aluminium shutters, you never have to worry about maintenance, just wipe them when they get dusty.



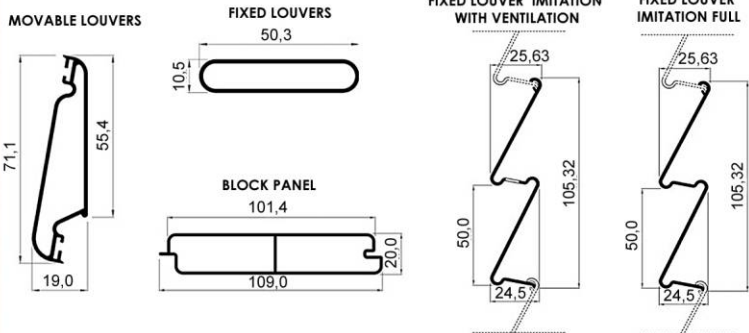
PVC VENEER

PVC SHUTTERS

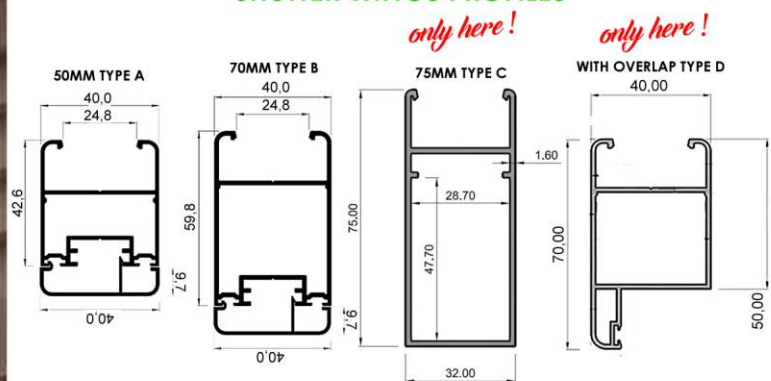
PVC shutters can be ordered smooth white or in veneer with a rich colour palette. Wood textured veneer is not very different from wooden shutters and windows; however, it is much more resistant to weather conditions. Buying PVC shutters, you never have to worry about maintenance, just wash them when they get dirty.

CROSS-SECTIONS, TECHNICAL DATA AND FITTINGS

WINGS FILLINGS

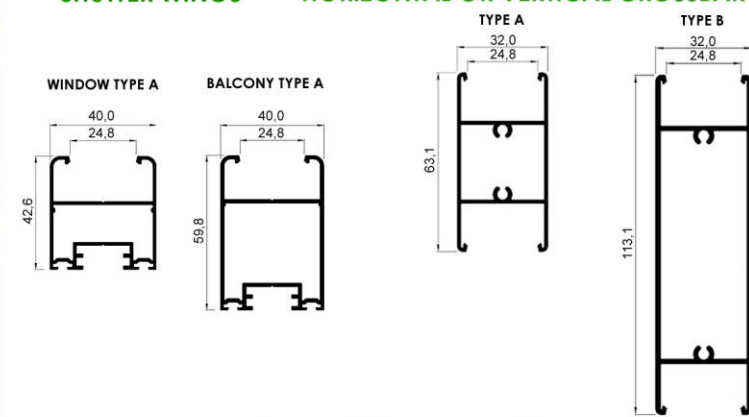


SHUTTER WINGS PROFILES



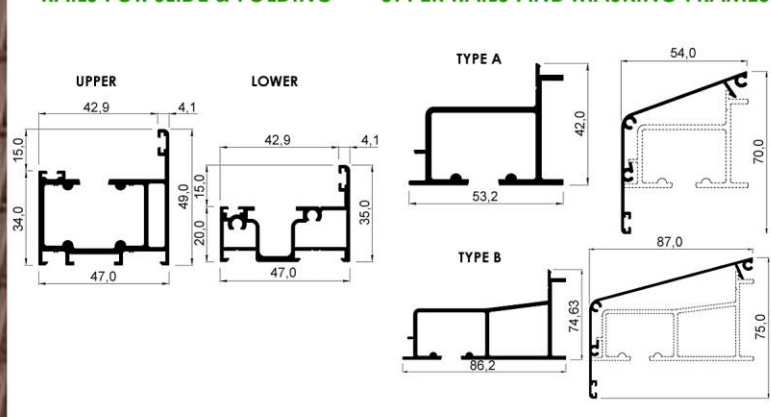
SHUTTER WINGS

HORIZONTAL OR VERTICAL CROSSBAR

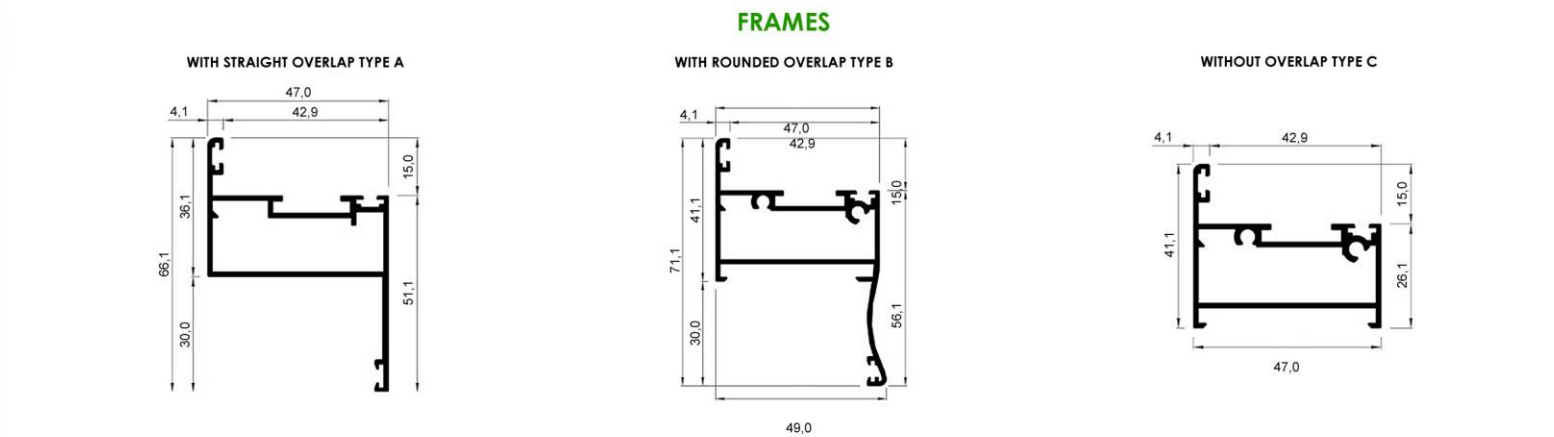


RAILS FOR SLIDE & FOLDING

UPPER RAILS AND MASKING FRAMES



FRAMES



More at:
www.zielonaokiennica.pl

notes



ZIELONA OKIENNICA

Zielona Okiennica has been manufacturing aluminium and PVC shutters for 15 years. Our dynamic growth on the Italian and French markets has allowed us to obtain great experience and new ideas.

All Zielona Okiennica products are hand-made for individual orders.

We base our work on the highest standards as well as the quality of systems and materials imported from Europe. We guarantee comprehensive service in the field of professional consultancy, measurement and assembly both in the country and abroad.

We have gained the trust of our clients and enjoy the satisfaction of cooperating contractors. This has allowed us to expand our production with further products and systems for architecture that meet the expectations of the modern world.

Aluminium windows and doors, balustrades, brise soleils, composite boards

- more at www.zenaluminium.pl

ZIELONA OKIENNICA
Łukasz Kwiatkowski

kom +48 503 828 996
kom +48 538 333 176
www.zielonaokiennica.pl

CORRESPONDENCE
Ul. Batalionów Chłopskich 56/4
75-308 Koszalin/Polska

PRODUCTION
Konikowo 87 D
76-024 Świeszyno/Polska



PRICING DEPARTMENT

e-mail: info@zielonaokiennica.pl

MARKETING

e-mail: marketing@zielonaokiennica.pl

OWNER

e-mail: kwiatkowski@zielonaokiennica.pl